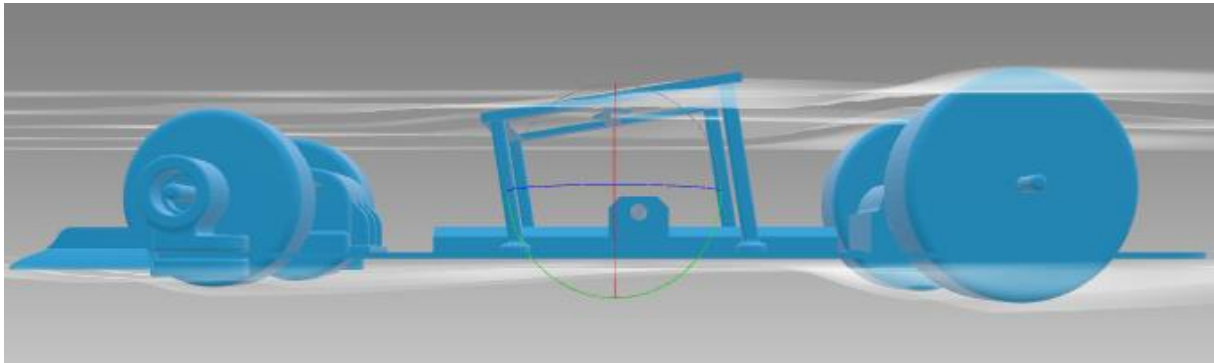


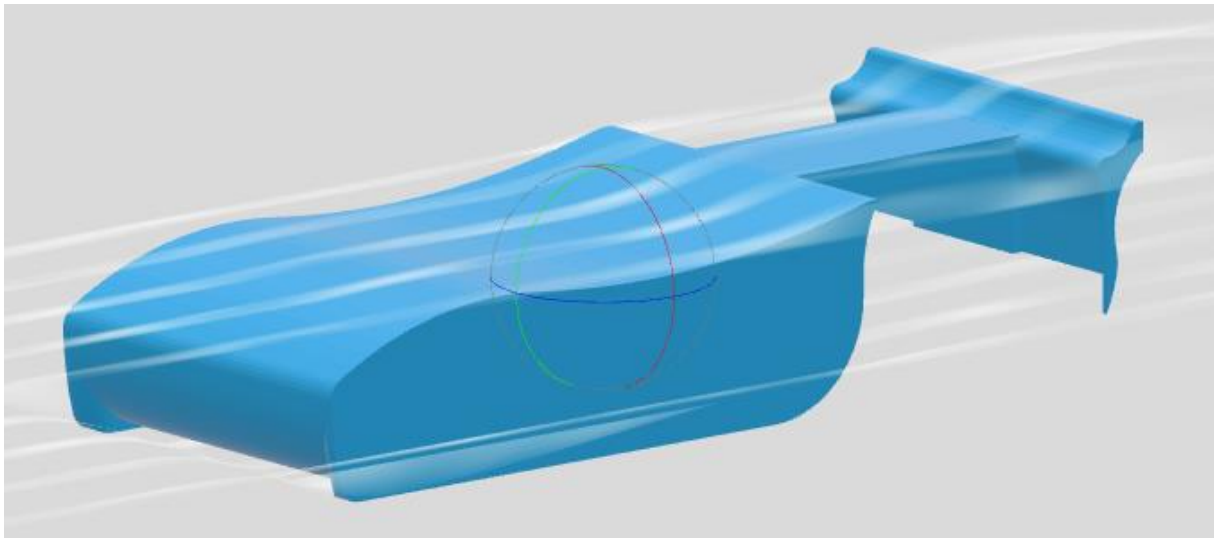
Naam: Gies De Stercke Nr: 4 Klas: 4TW
Vak: STEM Engeneering Leerkracht: Mr Van Laere

AeroDynamica

Lage Auto



Kap Van De Auto



15
-3-
20
24

A handwritten signature in blue ink, which appears to be "Gies De Stercke", is located in the bottom right corner of the page.